

Technical details – general

Superior steel quality of all Biohort products

20 year guarantee on all our products. (With regard to rusting through).

Biohort products are available, at an extra cost in all RAL colours.

The complete steel plating is coated in the desired RAL colours (RAL = German quality assurance code). The guide profiles, all special quality steel parts and interior fittings will not be refinished in special colours! Please note, that as this work is concerned with special respectively individual requests, a longer delivery time is to be expected (4-6 weeks following placement of order).

Garden shed "Europa" and Equipment locker: Extra charge 80% - please note that the steel plate will be coated on both the inside and the outside in the desired RAL-colour.

Leisure time box: Extra charge 65% - also finished on the inside and outside in the desired RAL-colour.

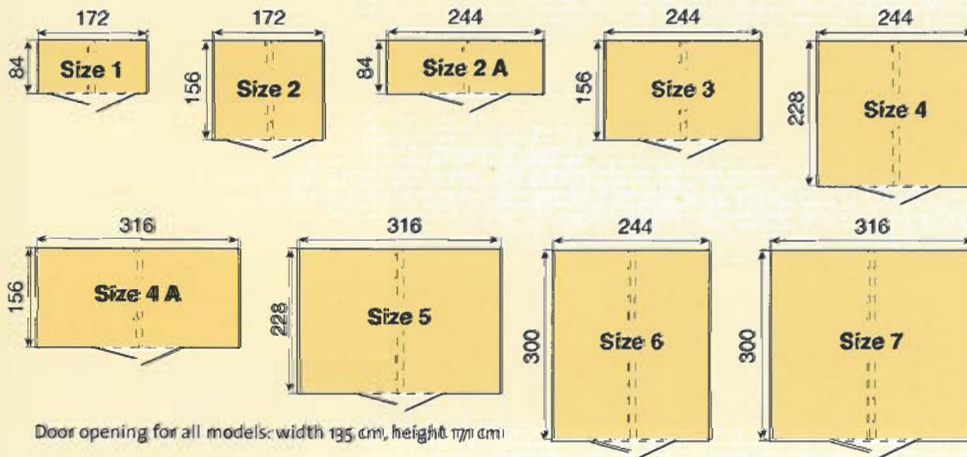
StoreMax: Extra charge 40% - the side and back walls will be coated in the desired RAL-colour. The roller shutters and guide profiles are only available in metallic silver and cannot be refinished in any other colours.

CoverBox: Extra charge 80% - when all the panels including cover are to be coated in the desired RAL-colour. Extra charge 60% - when only the side walls and door are to be coated in the desired RAL-colour.

Construction time required (dependent on product size and handiwork skill):

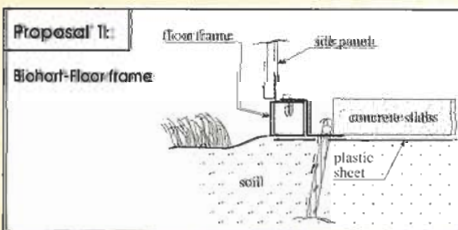
Garden shed "Europa": 3-6 hrs (2 pers.); Equipment locker: 2,5 hrs; StoreMax: 0,5-1 hr (both 1-2 pers.); Leisure time box: 1-2 hrs; CoverBox: 1hr.

Garden shed „Europa“: 9 sizes (External dimensions include roof overhang)



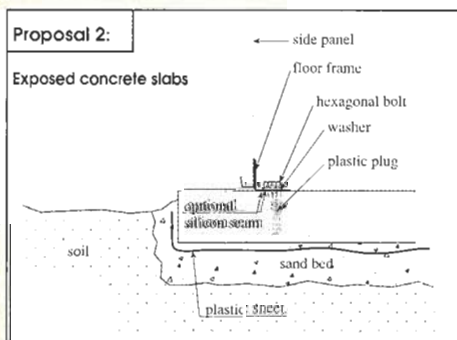
3 alternatives for a secure foundation:

1. With the **floor frame** (see accessories) you can also erect your Biohort shed on uneven surfaces and anchor it securely against gale force winds.



ATTENTION: The anchoring is important, to protect and secure your purchase from gale force winds!!

2. Should you erect your Biohort shed in a wind-sheltered location, anchoring your shed onto **concrete slabs** positioned in a **sand bed** will be sufficient. To protect against moisture, a plastic-sheet must be integrated into the foundation (see sketch).



Service

Delivery door to door

(Kerbside delivery, street must be accessible for 38 ton lorry) – this service only applies to determined areas.

Please give the exact delivery address and telephone number including area code for contact in the order. The carrier firm will make direct contact to agree on time and date of delivery.

Important: Check the goods upon acceptance thoroughly for any damage, missing parts and exactitude. Ensure that any damage to packaging or discrepancies are written on the delivery note and countersigned by the driver.

Delivery time:

Approx. 10 -21 work days for standard colours.

Online advice: www.biohort.at

Under "Download" you can find the assembly instructions, foundation tips and other useful advice for the garden shed. Under the entry "FAQs" are the answers to the most frequently asked questions regarding our products.

- Foundation sizes (minimum dimensions)
- Internal sizes
- Weight

Size	Foundation dim. L x W in cm	Internal dim. L x W x H in cm	Weight in kg
1	155 x 83	150 x 78 x 188	77
2	155 x 155	150 x 150 x 188	101
2A	227 x 83	222 x 78 x 195	105
3	227 x 155	222 x 150 x 195	123
4	227 x 227	222 x 222 x 195	152
4A	299 x 155	294 x 150 x 202	155
5	299 x 227	294 x 222 x 202	185
6	227 x 299	222 x 294 x 195	179
7	299 x 299	294 x 294 x 202	217
GS*	155 x 83	150 x 78 x 177	71

*Equipment locker, page 10

3. Reinforced concrete slabs provide the best foundation (see foundation sizes). You have a level, dry surface onto which the garden shed can be securely attached against storms. Bolts and plastic plugs are included as standard equipment with each shed.

